

SIP Industrial Products Limited
Gelders Hall Road
Shepshed
Loughborough
Leicestershire
LE12 9NH
United Kingdom



30" Drum Fans

SIP Code: 05639, 05640

Instruction Manual

For help or advice please contact
your distributor, or sip directly
on:

Tel.: 01509 500400

Email:

sales@sip-group.com

or

customerservice@sip-group.com

www.sip-group.com

Please read and fully understand the instructions in this manual before operation. Keep
this manual safe for future reference.

CONTENTS

<i>Description</i>	<i>Page No.</i>
<i>Safety Symbols Used Throughout This Manual</i>	<i>3</i>
<i>Safety Instructions</i>	<i>3 - 5</i>
<i>Electrical Connection</i>	<i>5 - 6</i>
<i>Technical Specification</i>	<i>7</i>
<i>Warranty</i>	<i>8</i>
<i>Contents & Accessories</i>	<i>8</i>
<i>Getting To Know Your Drum Fan - 05639</i>	<i>9</i>
<i>Getting To Know Your Drum Fan - 05640</i>	<i>10</i>
<i>Operating Instructions</i>	<i>11</i>
<i>Wiring Diagram - 05639</i>	<i>12</i>
<i>Wiring Diagram - 05640</i>	<i>13</i>
<i>Exploded Drawing / Parts List - 05639</i>	<i>14</i>
<i>Exploded Drawing / Parts List - 05640</i>	<i>15</i>
<i>UK & EU - Declaration of Conformity</i>	<i>16- 17</i>
<i>Notes</i>	<i>18 - 19</i>

SAFETY SYMBOLS USED THROUGHOUT THIS MANUAL



Danger / Caution: Indicates risk of personal injury and/or the possibility of damage.



Warning: Risk of electrical injury or damage!



Note: Supplementary Information.

SAFETY INSTRUCTIONS



Important: Please read the following instructions carefully, failure to do so could lead to serious personal injury and / or damage to the drum fan.

When using your fan, basic safety precautions should always be followed to reduce the risk of fire, electric shock, personal injury and / or damage to the fan.

Read all of these instructions before operating the fan and save this user manual for future reference.

The fan should not be modified or used for any application other than that for which it was designed; It was designed to safely and quietly move air in large volumes.

If you are unsure of its relative applications do not hesitate to contact us and we will be more than happy to advise you.

Before operating the fan always check no parts are broken, that all screws are completely tight and that no parts are missing.

Always operate the fan safely and correctly.

KNOW YOUR FAN: Read and understand the owner's manual and labels affixed to the fan. Learn its applications and limitations, as well as the potential hazards specific to it.

DO NOT USE THE FAN IN DANGEROUS ENVIRONMENTS: Do not use your fan in damp or wet locations, or expose it to rain. Always provide adequate space around the drum fan.

STAY ALERT: Always watch what you are doing and use common sense when placing and operating the fan.

DISCONNECT THE FAN FROM THE MAINS SUPPLY: When not in use.

NEVER LEAVE THE FAN UNATTENDED: During operation.

DO NOT ABUSE THE MAINS LEAD: Never pull the mains lead to remove the plug from the mains socket, or to move the fan from place to place. Keep the mains lead away from heat, oil and sharp edges. If the mains ,

SAFETY INSTRUCTIONS....Cont

lead is damaged it must be replaced by the manufacturer or its service agent or a similarly qualified person in order to avoid unwanted hazards.

HAVE YOUR FAN REPAIRED BY A QUALIFIED PERSON: The fan is in accordance with the relevant safety requirements. Repairs should only be carried out by qualified persons using original spare parts, otherwise this may result in considerable danger to the user and void the warranty.

USE RECOMMENDED PARTS ONLY: Unapproved and untested parts may be dangerous and will invalidate the warranty.

- **DANGER!** Check that the fan is in sound condition and good working order. Take immediate action to repair or replace damaged parts.
- **WARNING!** Only operate on a level and stable surface.
- **WARNING!** Do not allow untrained persons to operate the fan and do not operate the fan without all covers etc. correctly fitted.
- **WARNING! RISK OF ELECTRIC SHOCK.** Do not expose the fan to water spray, rain, dripping water or moisture of any kind.
- Do not leave the fan unattended when in use. Switch the fan off and unplug from the mains supply before leaving the work area.
- Do not allow children or animals near the drum fan, particularly when in use.
- Ensure that the drum fan is correctly turned off when not in use and store in a safe, dry area, out of reach of children.
- Keep all combustible materials away from this drum fan.
- Never stand on the fan.
- **DO NOT** dismantle or tamper with the fan, this may be dangerous and will invalidate the warranty.

WARNING: Risk of Electric Shock!

- Use only the electrical power (voltage and frequency) specified on the model plate of the drum fan. If in doubt contact the manufacturer.
- Use only a three-prong, grounded (earthed) outlet.
- Do not touch, or operate the fan when your hands are wet.
- Those who are not qualified electricians / engineers should not disassemble, repair or rebuild the fan.
- **DO NOT** unplug the fan by pulling the mains lead. Unplug by holding the plug.
- **DO NOT** use the fan when there is damage to the mains lead or plug.
- **DO NOT** use the fan close to the fires.
- To reduce the risk of fire or electric shock, do not use this fan with any solid-state speed control device.
- **DO NOT** use the fan outdoors.
- Always check all guards to make sure they are secure before starting the fan.

SAFETY INSTRUCTIONS....Cont

- Never insert fingers or any other object/s through the grill guard when the fan is in operation.
- Never leave the fan unattended and ensure that children and pets are kept a safe distance from the fan.
- Turn the fan off and disconnect it from the mains supply when moving from one location to another.
- Turn the fan off and disconnect it from the mains supply when carrying out any repairs, maintenance or cleaning.
- Do not use petrol or other corrosive liquids for cleaning as they may damage the fan or outer casing / grill.
- Do not operate the fan near an open window, such as on a window sill; rain or moisture may create an electrical hazard.
- Never modify the fan in any way.
- Never operate the fan without all guards in place.
- Before each use; always check that the moving parts move freely and do not catch or bind.
- Stop operation immediately if abnormalities are noticed.
- Always clear the surface around where the fan is to be used to avoid unwanted dust or debris being pulled through the fan.

If a problem with the drum fan is experienced, or if the mains lead or plug become damaged, contact your distributor for repair.

If the drum fan is used in a place of work all rules and laws etc. relating to the use of portable electrical appliances should be followed.

Understand the operating environment; Before each use the operator should assess, understand and where possible reduce the specific risks and dangers associated with the operating environment. Bystanders should also be made aware of any risks associated with the operating environment.



CAUTION: The warnings and cautions mentioned in this user manual can not cover all possible conditions and situations that may occur. It must be understood by the operator that common sense and caution are factors which cannot be built into this product, but must be applied.

ELECTRICAL CONNECTION

WARNING! It is the responsibility of the owner and the operator to read, understand and comply with the following:

You must check all electrical products, before use, to ensure that they are safe.

You must inspect power cables, plugs, sockets and any other connectors for wear or damage.

You must ensure that the risk of electric shock is minimised by the installation of appropriate safety devices; A residual current circuit Breaker (RCCB) should be incorporated in the main distribution board. We also recommend that a residual current device (RCD) is used. It is particularly important to use an RCD with portable products that are plugged into a supply.

ELECTRICAL CONNECTION....Cont

Connecting to the power supply:

These SIP drum fans are fitted with either a standard 230v ~ 13 amp or 110v ~ 16 amp type plug. Before using the drum fan, inspect the mains lead and plug to ensure that neither are damaged. If any damage is visible have the drum fan inspected / repaired by a suitably qualified person. If it is necessary to replace the plug a heavy duty impact resistant plug would be preferable.

The wires for the plug are coloured in the following way:

Yellow / green Earth

Blue Neutral

Brown Live

As the colours of the wires may not correspond with the markings in your plug, proceed as follows: The wire which is coloured blue, must be connected to the terminal marked with N or coloured black. The wire which is coloured brown, must be connected to the terminal, which is marked L or coloured red. The wire which is coloured yellow / green should be connected to the terminal which is coloured the same or marked \perp .

Always secure the wires in the plug terminal carefully and tightly. Secure the cable in the cord grip carefully.



Warning: Never connect live or neutral wires to the earth terminal of the plug. Only fit an approved plug with the correct rated fuse. If in doubt consult a qualified electrician.



Note: Always make sure the mains supply is of the correct voltage and the correct fuse protection is used. In the event of replacing the fuse always replace the fuse with the same value as the original.



Note: If an extension lead is required in order to reach the mains supply; ensure that this too is rated for the correct voltage and fuse rating.



Note: The cross section of the extension lead should be checked so that it is of sufficient size so as to reduce the chances of voltage drops.

TECHNICAL SPECIFICATION

<i>Item No.</i>	<i>05639</i>	<i>05640</i>
Supply	220-240V~ 50Hz	110V~ 50Hz
No. of Speed Settings	2	2
Power Consumption (W) - Low	109W	111W
Power Consumption (W) - High	123W	123W
Input Current (A) - Low	0.48A	1.04A
Input Current (A) - High	0.53A	1.15A
Fan \varnothing	30"	30"
Air Flow - Low	9306 m3/hour	9284 m3/hour
Air Flow - High	10218 m3/hour	9777 m3/hour
Speed - Low	850 rpm	850 rpm
Speed - High	950 rpm	950 rpm
Noise Level (Max)	70.7 dB(A)	70.3 dB(A)
Protection	IP20	IP20
Net Weight	18.48 Kg	20.03 Kg

WARRANTY

These SIP drum fans are covered by a 12 month parts and labour warranty covering failure due to manufacturers defects. This does not cover failure due to misuse or operating the fan outside the scope of this manual - any claims deemed to be outside the scope of the warranty may be subject to charges including, but not limited to parts, labour and carriage costs. Consumables items such as fuses are not covered by the warranty.

In the unlikely event of warranty claims, contact your distributor as soon as possible.



Note: *Proof of purchase will be required before any warranty can be honoured.*

CONTENTS & ACCESSORIES

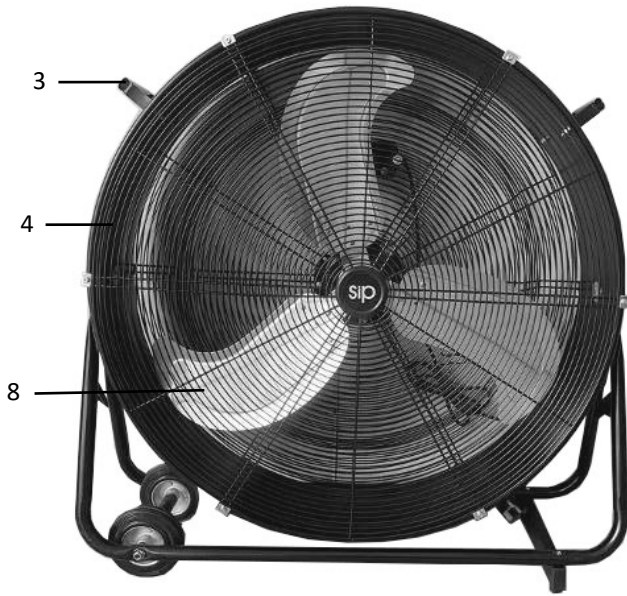
1x Drum Fan.

1x Instruction Manual.



Note: *If any of the above are missing or damaged, contact your distributor immediately.*

GETTING TO KNOW YOUR DRUM FAN - 05639



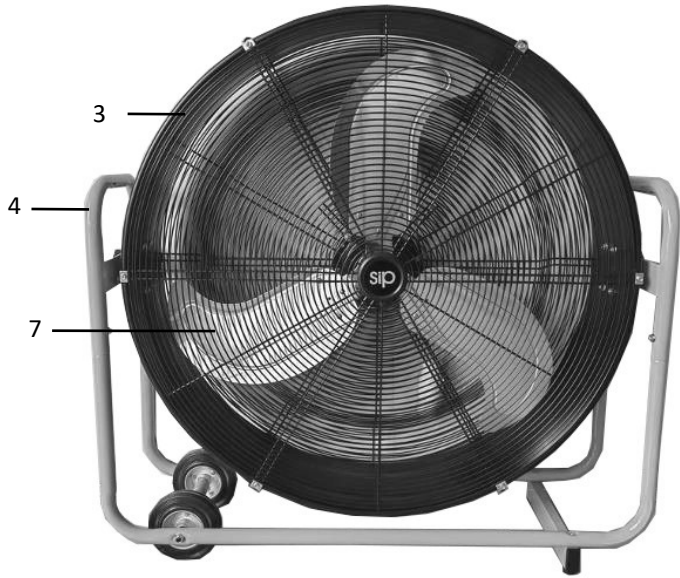
Front



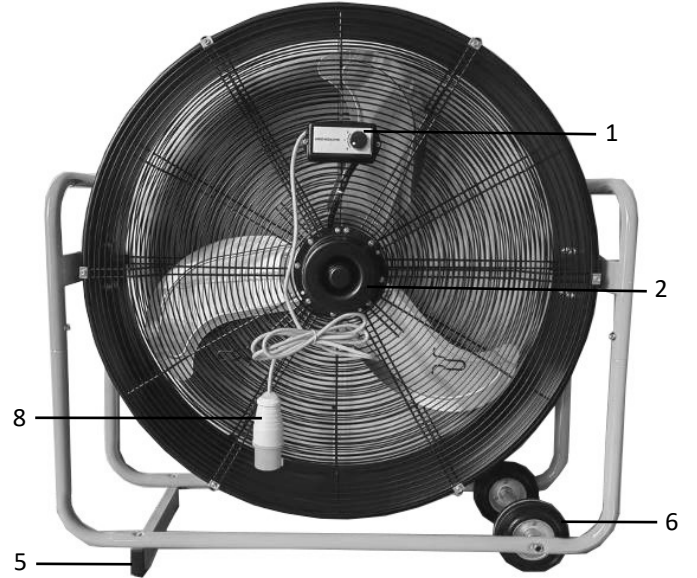
Rear

<i>Item</i>	<i>Description</i>	<i>Item</i>	<i>Description</i>
1	Speed Control Knob	5	Frame
2	Motor	6	Foot
3	Handle	7	Wheels
4	Drum Body	8	Fan Blade

GETTING TO KNOW YOUR DRUM FAN - 05640



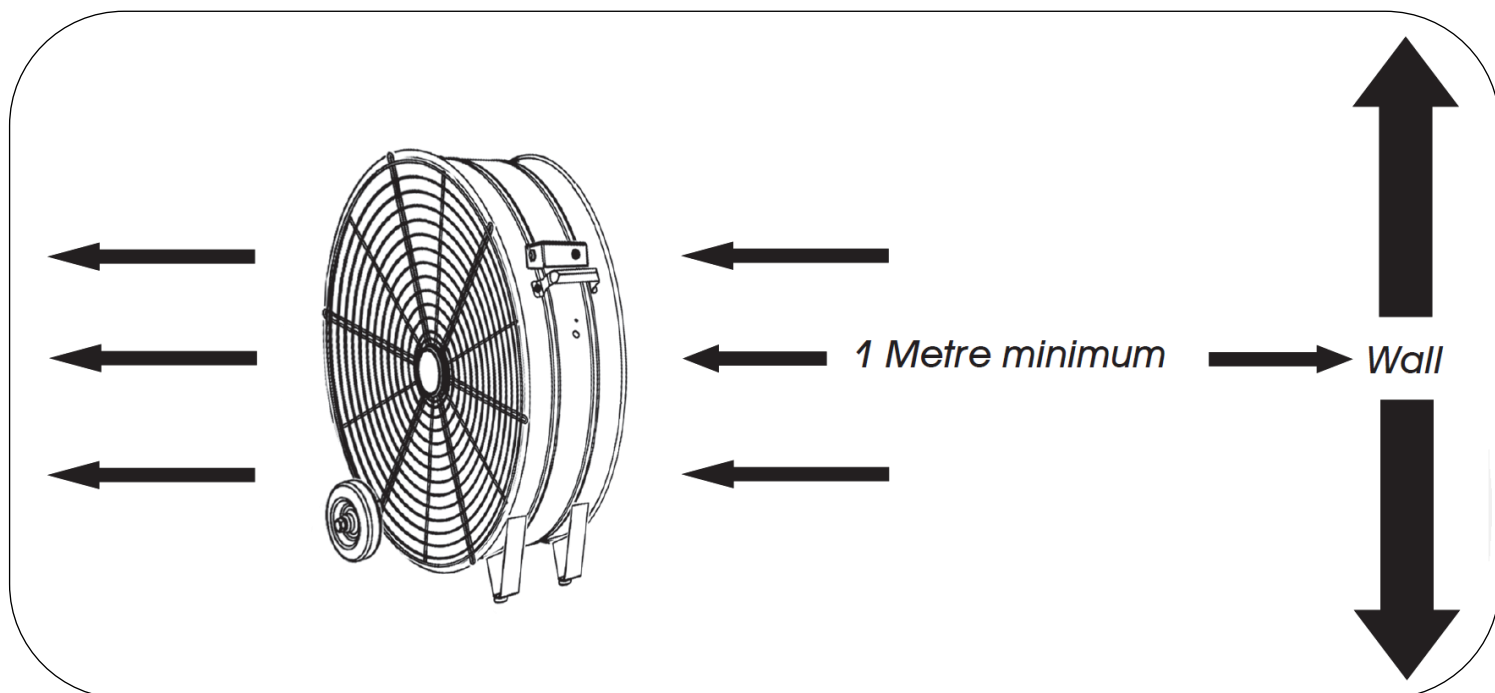
Front



Rear

<i>Item</i>	<i>Description</i>	<i>Item</i>	<i>Description</i>
1	Speed Control Knob	5	Foot
2	Motor	6	Wheels
3	Drum Body	7	Fan Blade
4	Frame	8	Power Cord

OPERATING INSTRUCTIONS



Note: Always allow at least 1 metre clearance around the fan, failure to adhere to this will stop the cooling air flowing through the drum fan, this could damage the motor and void your warranty.

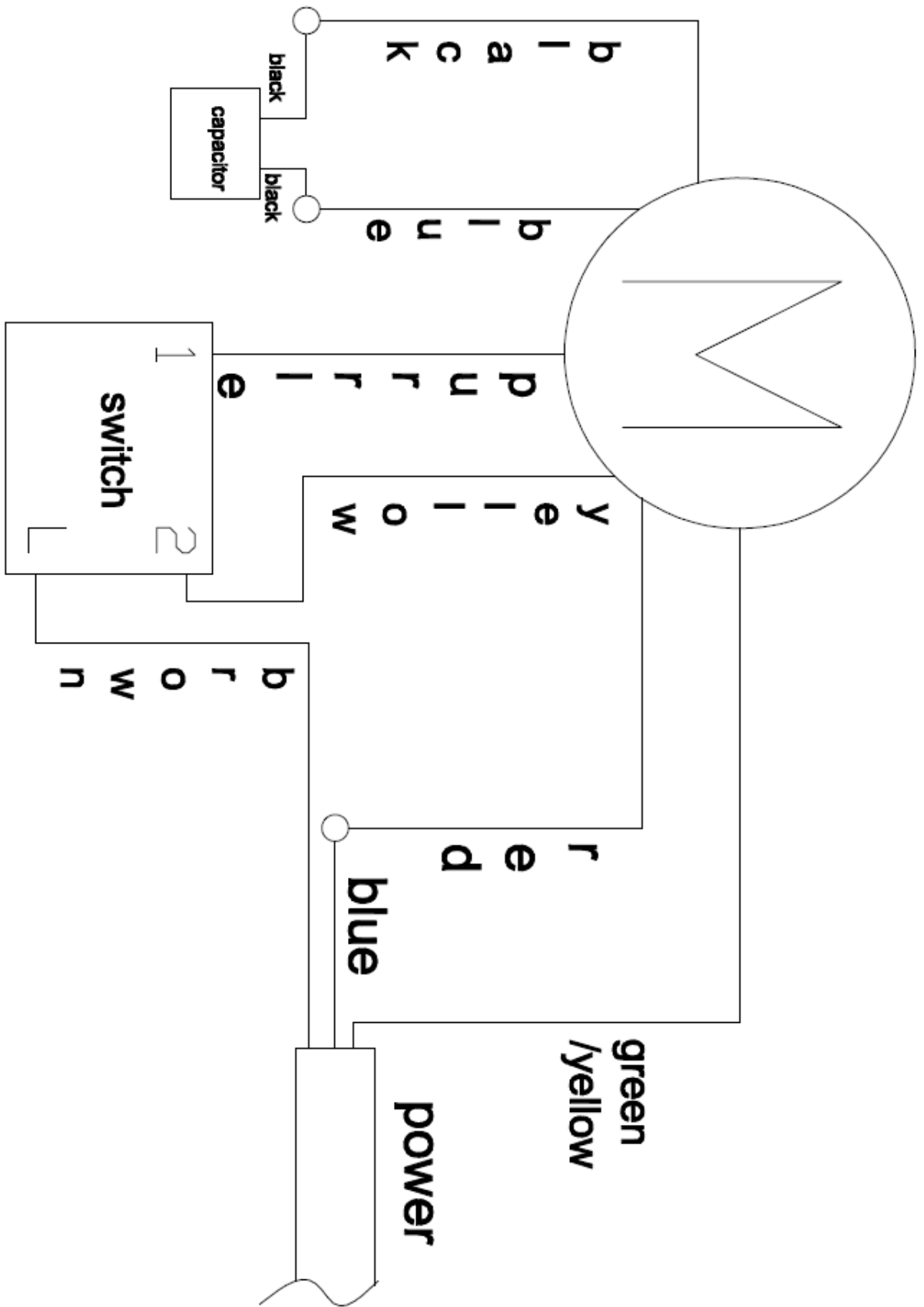
The drum fan has 2 different speed settings:

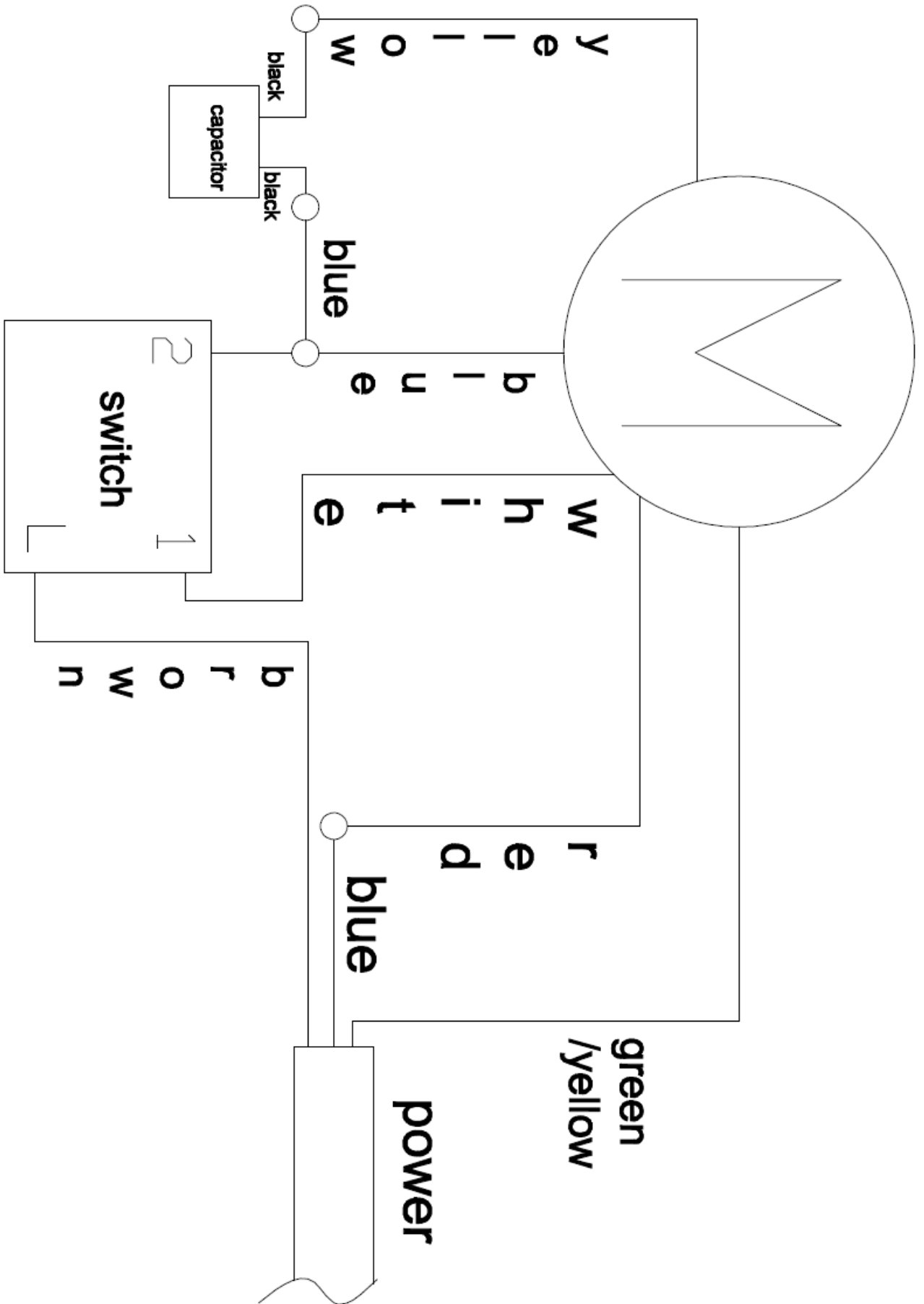
- 0 --- Stop
- 1 --- Low
- 2 --- High

- Turn the switch to the desired position 1 or 2 to start the fan.
- Turn the switch to "0" to stop the fan running.

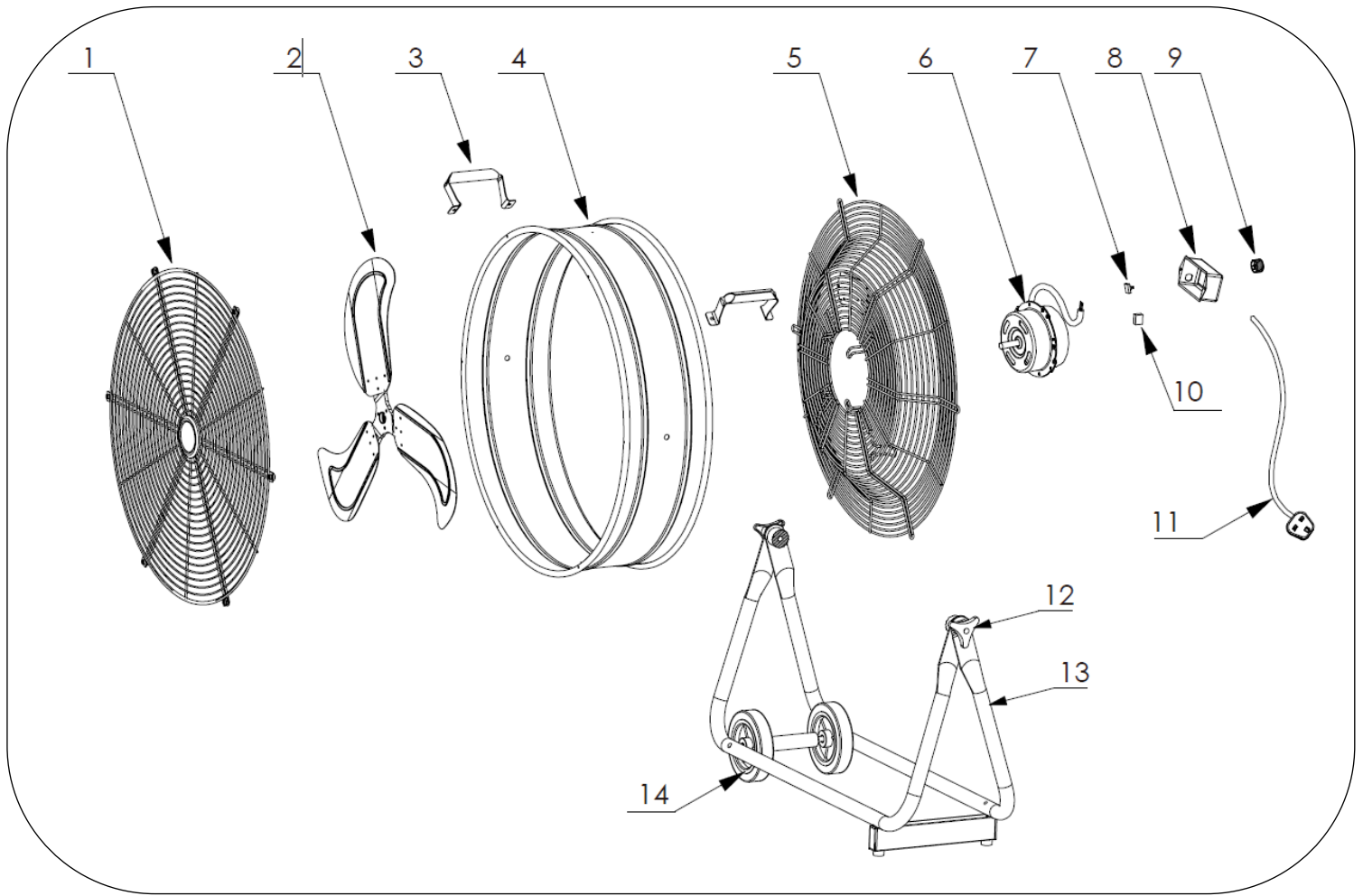


Note: Never Run this fan whilst it's raining, or in any damp or wet locations, and never place it on the window sill.



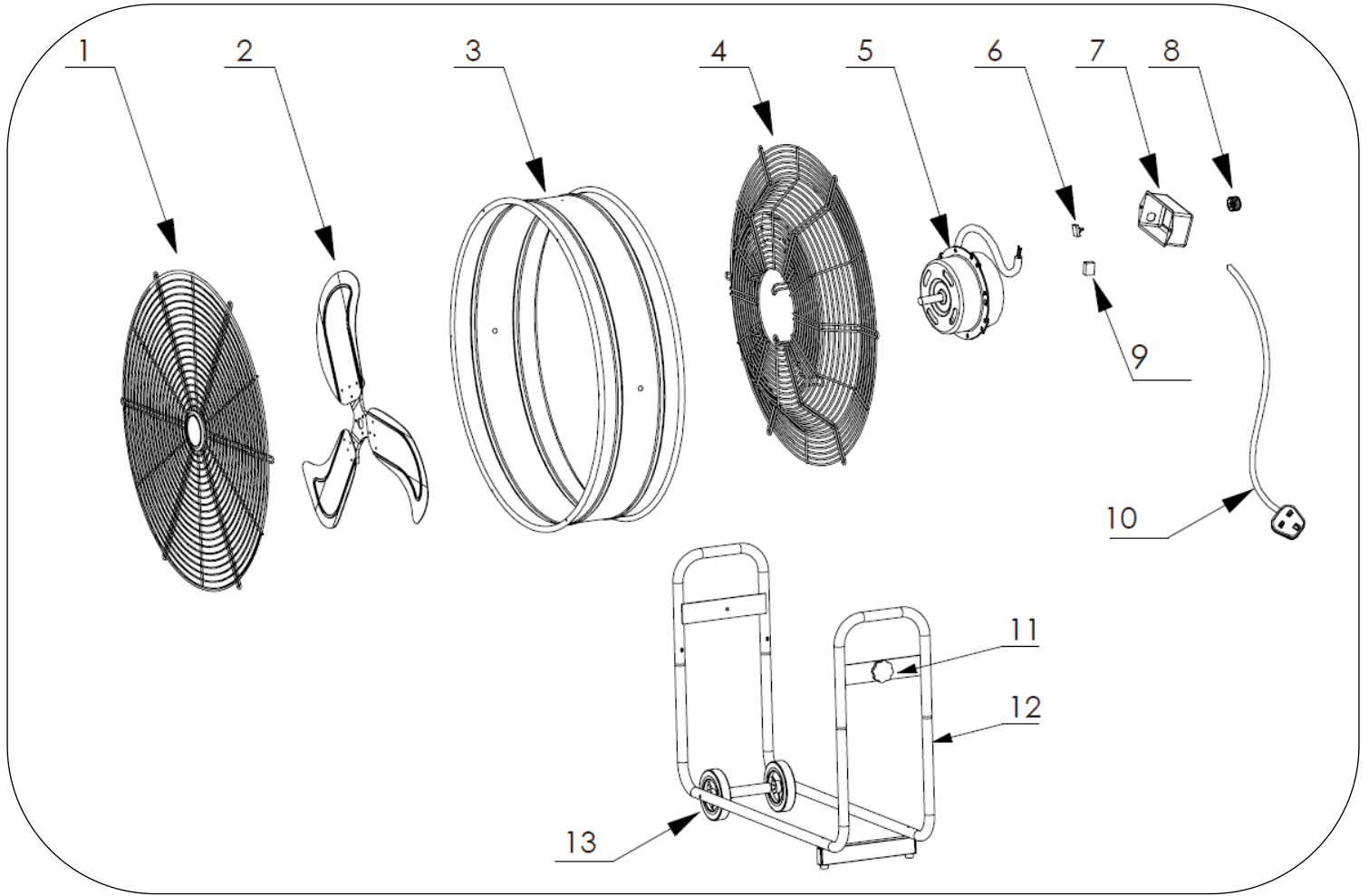


EXPLODED DRAWING / PARTS LIST - 05639



<i>Item</i>	<i>Description</i>	<i>Item</i>	<i>Description</i>
1	Front Guard	8	Switch Box
2	Blade Component	9	Switch Knob
3	Handle	10	Capacitor
4	Drum	11	Power Cord
5	Rear Guard	12	Triangle Knob
6	Motor	13	Bracket
7	Switch	14	Wheels

EXPLODED DRAWING / PARTS LIST - 05640



<i>Item</i>	<i>Description</i>	<i>Item</i>	<i>Description</i>
1	Front Guard	8	Switch Knob
2	Blade Component	9	Capacitor
3	Drum	10	Power Cord
4	Rear Guard	11	Plum Knob
5	Motor	12	Bracket
6	Switch	13	Wheels
7	Switch Box	-	-

Declaration of Conformity

We

SIP (Industrial Products) Ltd
Gelders Hall Road
Shepshed
Loughborough
Leicestershire
LE12 9NH
England

As the manufacturer within England, Scotland and Wales, we declare that the

30" Drum Fans - SIP Part No. 05639 & 05640

Conforms to the requirements of the following regulation(s), as indicated.

Electrical Equipment (Safety) Regulations 2016

Electromagnetic Compatibility Regulations 2016

The Restriction of the Use of Certain Hazardous Substances in Electrical and Electronic Equipment Regulations 2012

And the following harmonised standard(s)

BS EN55014-1:2017+A11:2020

BS EN61000-3-2:2019

BS EN61000-3-3:2013+A1:2019

BS EN60335-1:2012+A11:2014+A13:2017+A1:2019+A14:2019+A2:2019

BS EN60335-2-80:2003+A1:2004+A2:2009

BS EN62233:2008

Signed:



Mr P. Ippaso - Managing Director - SIP (Industrial Products)

Ltd Date: 26/11/2022.



Declaration of Conformity

We

SIP Machinery Europe Ltd
Quayside Business Park
Dundalk
County Louth

As the manufacturer's authorised representative within the EC declare that the

30" Drum Fans - SIP Part No. 05639 & 05640

Conforms to the requirements of the following directive(s), as indicated.

2014/35/EU	Low Voltage Directive
2014/30/EU	EMC Directive
2015/863/EU & 2011/65/EU	RoHS Directive

And the following harmonised standard(s)

EN55014-1:2017+A11:2020
EN61000-3-2:2019
EN61000-3-3:2013+A1:2019
EN60335-1:2012+A11:2014+A13:2017+A1:2019+A14:2019+A2:2019
EN60335-2-80:2003+A1:2004+A2:2009
EN62233:2008

Signed: 

Mr P. Ippaso - Managing Director - SIP (Industrial Products)
Ltd Date: 26/11/2022.





Please dispose of packaging for the product in a responsible manner. It is suitable for recycling. Help to protect the environment, take the packaging to the local amenity tip and place into the appropriate recycling bin.



Never dispose of electrical equipment or batteries in with your domestic waste. If your supplier offers a disposal facility please use it or alternatively use a recognised recycling agent. This will allow the recycling of raw materials and help protect the environment.

**FOR HELP OR ADVICE ON THIS
PRODUCT PLEASE CONTACT YOUR
DISTRIBUTOR, OR SIP DIRECTLY**

ON:

TEL: 01509 500400

**EMAIL: sales@sip-group.com or
technical@sip-group.com**

www.sip-group.com