

Guide to Assembly & Usage

BiGDUG Garage 265kg Shelving

Information

If in doubt, contact the supplier

Read this guide thoroughly before commencing assembly and retain for future reference

Before commencing assembly, unpack carefully and check that all components ordered are included

Assembly should be undertaken by a minimum of two competent people

Tools – small rubber mallet

Assess for floor fixing. Tall narrow bays may require this to ensure stability

We recommend this product is fixed to the wall where possible

Caution

During assembly, ensure to:

Take care during assembly and in use, particularly when lifting or stretching and when using tools

Wear appropriate safety clothing – protective gloves and footwear are recommended

Build on a suitable level floor, which is strong enough to support the load and allow adequate working space

Dispose of packaging materials responsibly

Warning

Rules for the safe use of shelving:

Ensure these instructions are retained for reference and that users are aware of the rules for safe use

Never climb on the structure or stand on the shelving

Do not lean or support ladders, steps, or other objects against shelving

Always use safety steps to reach high shelves

Do not use in damp or wet conditions

Load heavy items on the lower shelves and lighter items on the higher shelves

This product is designed for hand loading only

Ensure that the maximum load carrying capacities are not exceeded

Please refer to the loading information supplied for details



COMPONENT CHECK LIST

Component		Quantity
A Half Upright		8
B Front & Back Beam		2 per level
C Side Beam		2 per level
D Shelf Support		5
E Upright Connector		4
F Plastic Foot		8
G MDF		5

If you have any missing components please take note of the part name and contact your supplier

Loading information

BiGDUG Garage 265kg Shelving

For any other layouts, please refer to your supplier for detailed loading capacities

Shelf load capacities
Maximum permitted shelf capacities are based on UDL*. Please note that the bay capacity may limit the maximum load per shelf:

IF YOU ARE IN ANY DOUBT REGARDING LOAD CAPACITIES, PLEASE CONTACT YOUR SUPPLIER
*UDL = Uniformly Distributed Load

BiGDUG Garage 265kg Shelving			
Shelf width	No. Supports	Max. load per shelf	Max. load per bay
900	1	265kg	1325kg
1200	1	265kg	1325kg

Capacities are common for all standard shelf depths

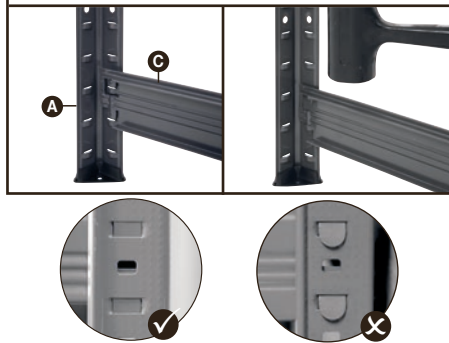
Shelving is safe when used responsibly. If in doubt, contact the supplier.

Assembly – BiGDUG Garage 265kg Shelving

1 Attach plastic foot **F** to bottom of two half uprights **A** ensuring the arrow on upright is facing up



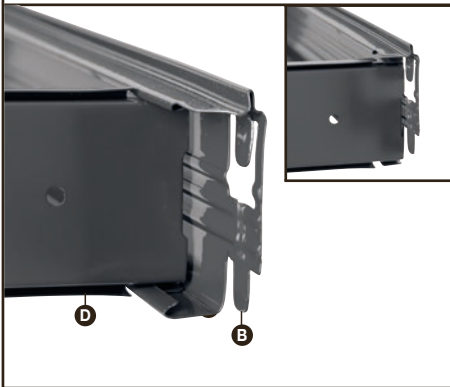
2 To create side frame, connect two half upright **A** together using side beams **C** at the height required for the first two shelves. Knock side beams into place using rubber mallet



3 Repeat step 2 to create second side frame



4 Create 'H' shape shelf levels by sliding centre support **D** into front and back beams **B**



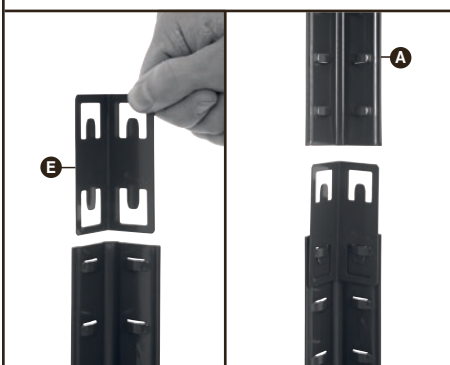
5 Connect shelf level to uprights at the same height as side beams **C**



6 Repeat steps 4,5 and 6 to add second shelf level



7 Attach upright **E** connectors into the top of the half uprights **A** and add second half uprights to the upright connectors



8 Add side beams **C** to the uprights **A** at the required height of the shelf levels. Knock into place with a rubber mallet



9 Repeat steps 4,5 and 6 to add remaining shelf levels



10 Insert MDF shelves into each level

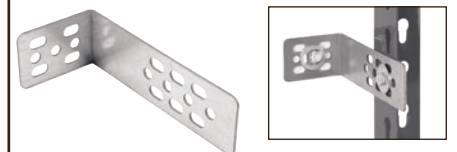


11 Half height shelving can also be made if required by adding plastic feet to second set of half height uprights



ACCESSORIES ALSO AVAILABLE

Universal Wall Fixings
Code UWFS1



Mallet
Code RMS



Bay Connectors
Code USBC4



Note: Illustrations not to scale