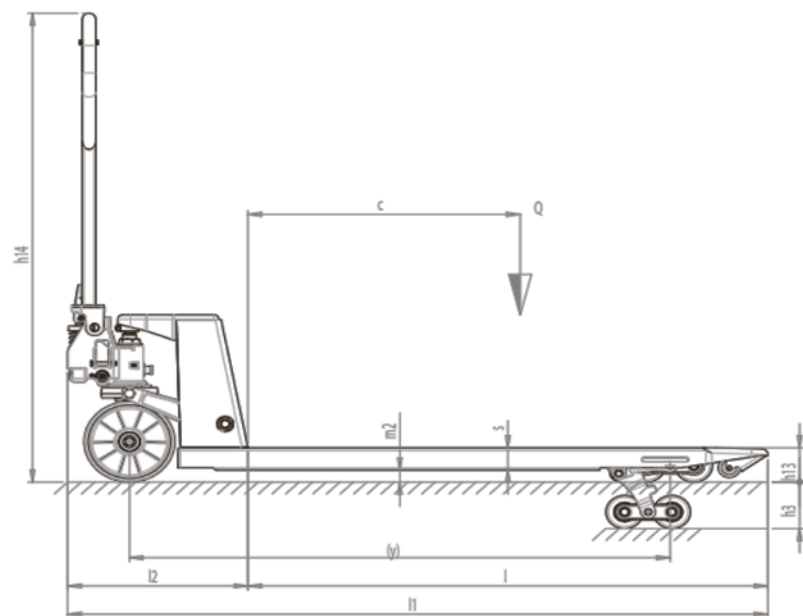
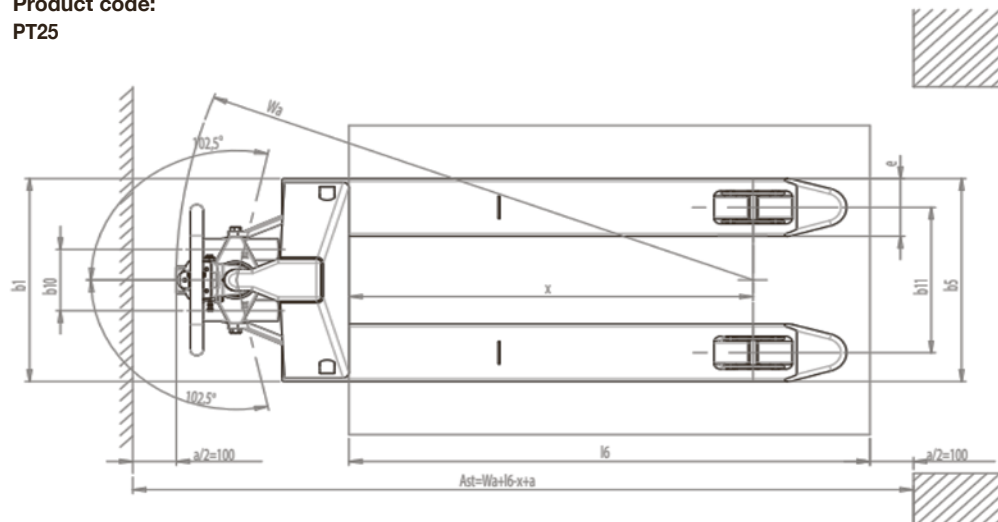


ESSENTIALS PALLET TRUCK - 2500kg



Product code:
PT25



Product

Description

Drive
Operator Type
Load Capacity
Handle

Finish

Body
Handle
Pump

Weights

Product Weight

Tyres/ Chassis

Driven Wheel Type
No. of Driven Wheels
Driven Wheel Dia
Driven Wheel Centre Width
Roller Wheel Type
No. of Rollers
Roller Dia.
Roller Centre Width
Wheel Base
Load Centre Distance
Load Distance, Centre Of Drive Axel To Fork

Dimensions

Lift
Height Lowered
Fork length
Overall Length
Length to Face of Forks
Overall Width
Fork Dimensions - Height
Fork Dimensions - Width
Fork Dimensions - Length
Distance between Forks
Ground Clearance - Lowered
Steel Thickness - Forks
Steel Thickness - Backplate
Steel Thickness - Roller Joint
Dia - Roller Joint
Height of Handle - Forks Lowered
Steel Thickness - Handle

Performance

Lift Speed

Suffix on diagram

Measurement

Manual
Pedestrian
2500
Standard

9011 (Black), 3028 (Red)
9011 (Black)
9011 (Black)

60

Pedestrian
2

180

120

PA

Double

80

385

1200 (+/-20)

580

920

105

85

1150

1510

380

550

50

160

1150

550

30

3

3

5

30

1200 (+/-200)

1.8

13

strokes